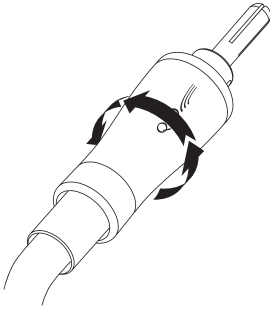




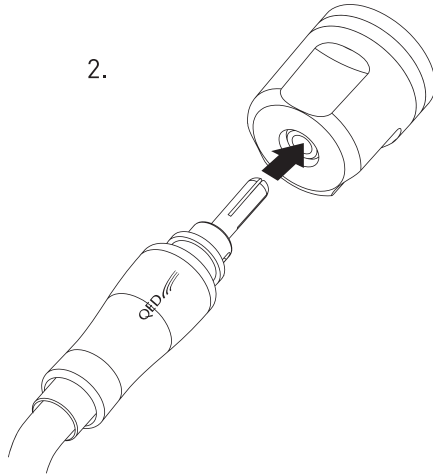
Supremus Zr Setup and Removal

Setup

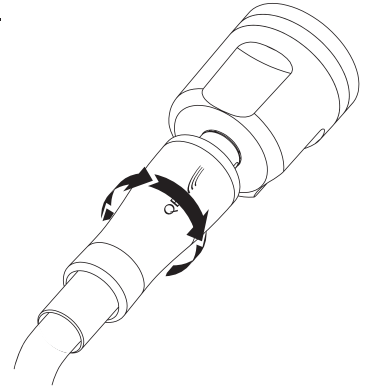
1.



2.

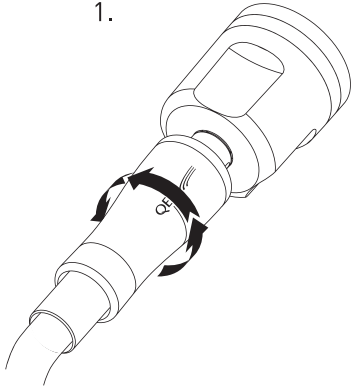


3.

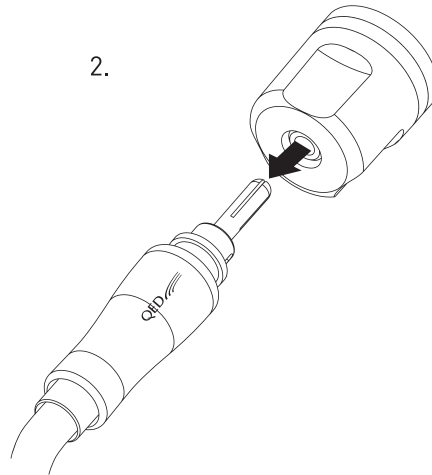


Removal

1.



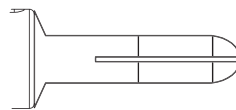
2.



Tighten to lock



Unscrew to unlock



ATTENTION:

Do not twist or pull the cable without unscrewing the barrel.
Please refer to the instructions where necessary; failure to do so will void the warranty.